

8704elp manual

File Name: 8704elp manual.pdf

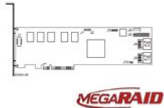
Size: 3692 KB

Type: PDF, ePub, eBook

Category: Book

Uploaded: 14 May 2019, 20:50 PM

Rating: 4.6/5 from 649 votes.



Download Now!

Please check the box below to proceed.



I'm not a robot



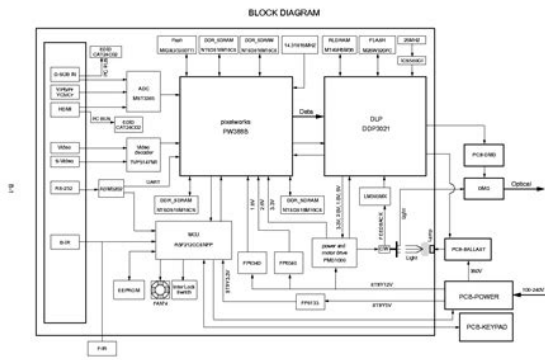
reCAPTCHA
Privacy - Terms

Book Descriptions:

8704elp manual

The missing J9 connector is the only difference between the SAS 8704ELP RAID Controller, which supports one connector and four ports, and the SAS 8708ELP RAID Controller, which supports two connectors and eight ports. If you need more information about any topic covered in this guide, refer to the related documents on your MegaRAID Universal Software Suite CD. For more information about this battery, refer to the Intelligent Battery Backup Unit for 1078based MegaRAID Products User's Guide on the MegaRAID Universal Software Suite CD. Remove it from the antistatic bag, and inspect it for damage. If the RAID controller appears to be damaged, or if the MegaRAID Universal Software Suite CD is missing, contact LSI Logic or your MegaRAID OEM support representative. Remove the cover from the computer. The jumpers are set at the factory, and you usually do not need to change them. Otherwise, you might lose data. The iBBU05 is designed for use on MegaRAID SAS RAID controllers. It protects the integrity of the cached data on a MegaRAID controller for up to 72 hours in the event of a complete AC power failure or a brief power outage. The LSI MegaRAID iBBUs provide an inexpensive alternative to using an uninterruptible power supply UPS and a second level of fault tolerance when used in conjunction with a UPS. The battery is installed on the top of the controller. Replace it only with the same or equivalent type recommended by the manufacturer. Dispose of used batteries according to the manufacturer's instructions. Use the Quick Find or browse through our Categories to find others. The fourport. LSI, eliminates the need to choose between cost and performance by With this adapter, based on the same proven MegaRAID technology used by Amphenol Areca Arena Maxtronic Astek ATTO Tech Bizlink Broadcom Chenbro Micom C. CiDesign Compaq Crucial CSElectronics Dell Dynapower USA Enhance Technol.http://fuengirolakontakt.se/user_images/empress-superdelay-vintage-modified-manual.xml

- 1.0.



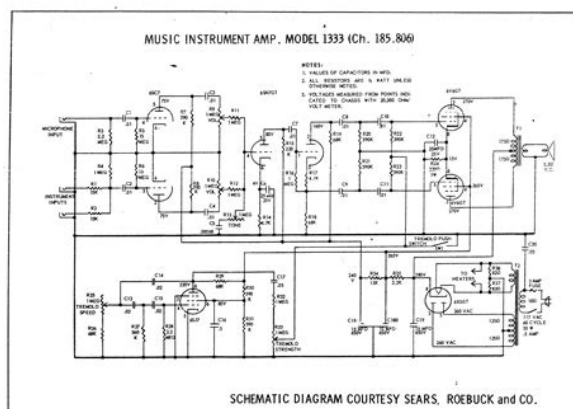
Fujitsu Habey USA HewlettPackard Highpoint Hitachi IBM Icy Dock Infortrend Intel iStarUSA iStoragePro Lenovo LSI Logic Mellanox Molex Norco Technolog. Western Digital. No Accessories. The fourport. LSI, eliminates the need to choose between cost and performance by With this adapter, based on the same proven MegaRAID technology used by Amphenol Areca Arena Maxtronic Astek ATTO Tech Bizlink Broadcom Chenbro Micom C. CiDesign Compaq Crucial CSElectronics Dell Dynapower USA Enhance Technol. Fujitsu Habey USA HewlettPackard Highpoint Hitachi IBM Icy Dock Infortrend Intel iStarUSA iStoragePro Lenovo LSI Logic Mellanox Molex Norco Technolog. Western Digital. We delete comments that violate our policy, which we encourage you to read. Discussion threads can be closed at any time at our discretion. Used Very GoodPlease try again.Please try again.Please choose a different delivery location.In order to navigate out of this carousel please use your heading shortcut key to navigate to the next or previous heading. In order to navigate out of this carousel please use your heading shortcut key to navigate to the next or previous heading. Full content visible, double tap to read brief content. Please try your search again later.To calculate the overall star rating and percentage breakdown by star, we don't use a simple average. Instead, our system considers things like how recent a review is and if the reviewer bought the item on Amazon. It also analyzes reviews to verify trustworthiness. If you want NextDay, we can save the other items for later. Order by, and we can deliver your NextDay items by. You won't get NextDay delivery on this order because your cart contains items that aren't "NextDay eligible". In your cart, save the other items for later in order to get NextDay delivery. Oops! There was a problem with saving your items for later. You can go to cart and save for later there.Get more info No cables, batteries, or any other accessories.<http://cokhihaivan.com/userfiles/emprex-3009arf-manual.xml>



About This Item We aim to show you accurate product information. Manufacturers,Please note, controller card only. No cables, batteries, or any other accessories. Most parts are not

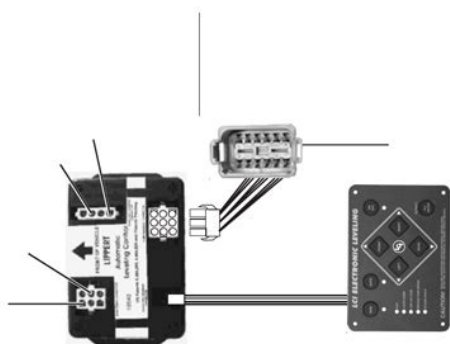
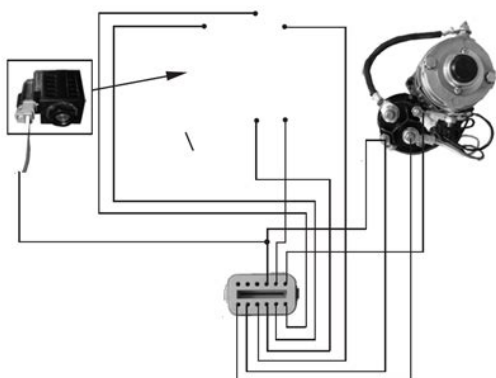
interchangeable. Specifications Brand LSI Manufacturer Part Number L30111628A Customer Reviews Write a review Be the first to review this item. Ask a question Ask a question If you would like to share feedback with us about pricing, delivery or other customer service issues, please contact customer service directly. So if you find a current lower price from an online retailer on an identical, instock product, tell us and we'll match it. See more details at Online Price Match. All Rights Reserved. To ensure we are able to help you as best we can, please include your reference number Feedback Thank you for signing up. You will receive an email shortly at Here at Walmart.com, we are committed to protecting your privacy. Your email address will never be sold or distributed to a third party for any reason. If you need immediate assistance, please contact Customer Care. Thank you Your feedback helps us make Walmart shopping better for millions of customers. OK Thank you! Your feedback helps us make Walmart shopping better for millions of customers. Sorry. We're having technical issues, but we'll be back in a flash. Done. With selectable connectors, this adapter serves three deployment needs. Users can choose two connectors two internal, two external or one each. An investment in the MegaRAID SAS 8888ELP brings peace of mind with its unique ability to address internal and external storage requirements. Fits x4 or x8 PCI Express slots. With selectable connectors, this adapter serves three deployment needs. Users can choose two connectors two internal, two external or one each. An investment in the MegaRAID SAS 8888ELP brings peace of mind with its unique ability to address internal and external storage requirements. Fits x4 or x8 PCI Express slots.

Mega RAID Firmware File Uploaded By Sathishkumar DG Staff Member on 14Oct2009. Please try again. Please try your search again later. You can edit your question or post anyway. To calculate the overall star rating and percentage breakdown by star, we don't use a simple average. Instead, our system considers things like how recent a review is and if the reviewer bought the item on Amazon. It also analyses reviews to verify trustworthiness. The battery is installed on the top of the controller. Step 1 Electrostatic discharge can damage the iBBU05 and the MegaRAID SAS RAID controller. Replace it only with the same or equivalent type recommended by the manufacturer. Dispose of used batteries according to the manufacturer's instructions. 1 J2 battery pack harness connector Step 2 Step 3 Step 4 Step 5 Insert the battery pack harness connector at the end of the colored wires into the 5 pin J2 connector on the backside of the iBBU05. Place the iBBU05 front side up on a flat, clean, static free surface. With the front side up, place the MegaRAID SAS RAID controller on a flat, clean, static free surface. Hold the iBBU05 daughtercard so that the battery side is up and the J14 connector lines up with the J7 BBU connector on the SAS 8704ELP RAID controller or on the SAS 8708ELP RAID controller, as shown in Figure 2. Page 2 Figure 2 Installing the iBBU05 Daugh Thank you, for helping us keep this platform clean. The editors will have a look at it as soon as possible.



<https://congviendis.vn/vi/bose-model-av28-manual>

<http://inspired2write4him.com/images/canon-es900-camcorder-manual.pdf>



<https://jagatex.pl/images/canon-es970a-manual.pdf>



<http://prodesign31.ru/wp-content/plugins/formcraft/file-upload/server/content/files/16274f948577d6--brother-ls-1520-manual.pdf>

anxuetang.com/upload/files/7845c-installation-manual.pdf

<http://ninethreefox.com/?q=node/13162>