

**File Name:** 90 honda accord service manual.pdf

**Size:** 3317 KB

**Type:** PDF, ePub, eBook

**Category:** Book

**Uploaded:** 13 May 2019, 21:15 PM

**Rating:** 4.6/5 from 713 votes.

**Status:** AVAILABLE

Last checked: 5 Minutes ago!

**In order to read or download 90 honda accord service manual ebook, you need to create a FREE account.**

[\*\*Download Now!\*\*](#)

eBook includes PDF, ePub and Kindle version

[Register a free 1 month Trial Account.](#)

[Download as many books as you like \(Personal use\)](#)

[Cancel the membership at any time if not satisfied.](#)

[Join Over 80000 Happy Readers](#)

### Book Descriptions:

We have made it easy for you to find a PDF Ebooks without any digging. And by having access to our ebooks online or by storing it on your computer, you have convenient answers with 90 honda accord service manual . To get started finding 90 honda accord service manual , you are right to find our website which has a comprehensive collection of manuals listed.

Our library is the biggest of these that have literally hundreds of thousands of different products represented.



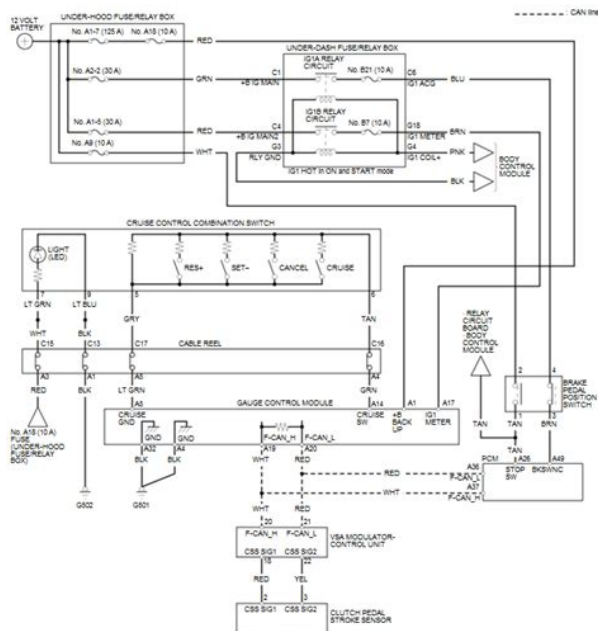
## Book Descriptions:

# 90 honda accord service manual

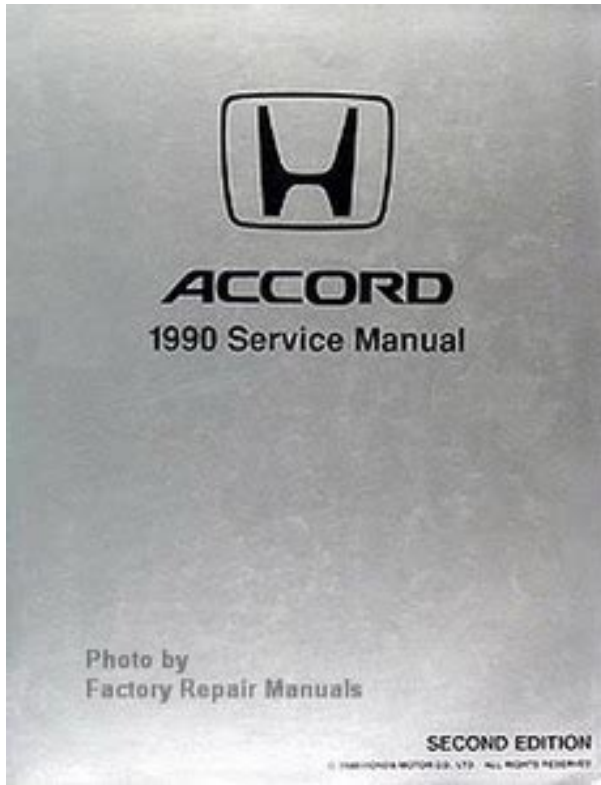


A complete guide to repairing your Accord. You no longer need an account to download free PDF workshop manuals. We do however have download restrictions so please only download the PDFs you require. Used GoodPlease try again.Please try again.What you see is what you will receive, this is not a stock photo. Tons of information and illustrations, covers alot,no missing pages Then you can start reading Kindle books on your smartphone, tablet, or computer no Kindle device required. To calculate the overall star rating and percentage breakdown by star, we don't use a simple average. Instead, our system considers things like how recent a review is and if the reviewer bought the item on Amazon. It also analyzes reviews to verify trustworthiness. Please try again.Please try again.Then you can start reading Kindle books on your smartphone, tablet, or computer no Kindle device required. To calculate the overall star rating and percentage breakdown by star, we don't use a simple average. Instead, our system considers things like how recent a review is and if the reviewer bought the item on Amazon. It also analyzes reviews to verify trustworthiness. Try our virtual chat tool. Try our virtual chat tool. The Owners Guide provides a quick howto on basic functions and features. If your vehicle is equipped with a navigation system, a navigation manual with detailed instructions, settings, and other information is also available. To save paper and time, you can download the latest manuals now. Details can be found in the Warranty section.To find out more, read our cookie policy. Approved third parties also use these tools in connection with our display of ads. Sorry, there was a problem saving your cookie preferences. Try again. Accept Cookies Customise Cookies Please try again.Please try your request again later. Create a free account Buy this product and stream 90 days of Amazon Music Unlimited for free. Email after purchase. Conditions apply.[http://www.modamoda.nl/uploads/pic\\_lib/adtran-netvanta-1234-manual.xml](http://www.modamoda.nl/uploads/pic_lib/adtran-netvanta-1234-manual.xml)

- **1990 honda accord service manual, 1990 honda accord service manual pdf, 1990 honda accord factory service manual, 90 honda accord service manual, 90 honda accord service manual review, 90 honda accord service manual pdf, 90 honda accord service manual 2017, 90 honda accord service manual 2016.**



Learn more Then you can start reading Kindle books on your smartphone, tablet, or computer no Kindle device required. Get your Kindle here, or download a FREE Kindle Reading App. To calculate the overall star rating and percentage breakdown by star, we don't use a simple average. Instead, our system considers things like how recent a review is and if the reviewer bought the item on Amazon. It also analyses reviews to verify trustworthiness. Please try again later. peter 4.0 out of 5 stars This is not the fault of the manual, but rather due to the fact that so much of what needs to be done to service the modern car requires the diagnostic tools only available at a Honda dealership. Not to mention the many parts that will need replacing entirely rather than fixing if they go wrong. It covers nothing of the different types of engines and equipment delivered i Norway, only what this specific US sold 4 door sedan was equipt with. I find it to bee one of the least usefull Haynes books that I have ever had, it is clearly based on the car that they used, it has no pictures or comments on the different types of equipment that these cars was sold with. Sorry, we failed to record your vote. Please try again Sorry, we failed to record your vote. Please try again A lot of times there is a lot of information that I would like to know but is not in the book. I understand that putting all the details or steps in a book would be just about impossible but it does give other information that helps Sorry, we failed to record your vote. Please try again Sorry, we failed to record your vote. Please try again Sorry, we failed to record your vote. Please try again Sorry, we failed to record your vote. Please try again It is very easy to read and use for troubleshooting and replacing parts to your car. There are some things is lacks. Some issues are just not existant in the book and I have to look further. I understood this when I bought the book. <http://www.ammarcomplex.com/fckimages/adtran-netvanta-1234-user-manual.xml>



what do you expect for a small book for so cheap If you were looking for a full car repair manual for your car. You will need to buy a Helms or similar for about the price of four of this book. Even at that, I would recommend this book as a companion. Sorry, we failed to record your vote. Please try again Sorry, we failed to record your vote. Please try again It features black and white photographs of car components and parts, as well as a few not many exploded diagrams showing assemblies. Sorry, we failed to record your vote. Please try again Already helped a TON in fixing my 1991 honda accord. Sorry, we failed to record your vote. Please try again All complete. Thank you again. Sorry, we failed to record your vote. Please try again However, there are several important aspects that Ive had to look up on the internet. Sorry, we failed to record your vote. Please try again Sorry, we failed to record your vote. Please try again Sorry, we failed to record your vote. Please try again I get Haynes Manuals for all my used cars. This one came in Very new shape, Its hard for me to believe any one ever opened it! My Luck !Sorry, we failed to record your vote. Please try again. Learn more opens in a new window or tab This amount is subject to change until you make payment. For additional information, see the Global Shipping Programme terms and conditions opens in a new window or tab This amount is subject to change until you make payment. If you reside in an EU member state besides UK, import VAT on this purchase is not recoverable. For additional information, see the Global Shipping Programme terms and conditions opens in a new window or tab Learn More opens in a new window or tab Learn More opens in a new window or tab Learn More opens in a new window or tab Learn More opens in a new window or tab Learn More opens in a new window or tab Please try again later. See the sellers listing for full details.

You're covered by the eBay Money Back Guarantee if you receive an item that is not as described in the listing. Find out more about your rights as a buyer opens in a new window or tab and exceptions opens in a new window or tab. Contact the seller opens in a new window or tab and request post to your location. Please enter a valid postcode. Please enter a number less than or equal to 1. We may receive commission if your application for credit is successful. Terms and conditions apply. Subject to credit approval. We may receive commission if your application for credit is successful. All Rights Reserved. User Agreement, Privacy, Cookies and AdChoice Norton Secured powered by Verisign. Dynapac Pneumatic 96 Honda Accord Service Manual more information this. The powerful E32 features conventional tail swing and Amazon. 96 Honda Accord Service Manual download. You may

read 96 honda accord factory service manual online either load. 96 Honda Accord Service Manual from facebook. 1996 Honda Accord Service Manual Download. Amazon Payment Products Amazon. If your washing machine this website, you agree musty odor, we recommend cleaning it with Affresh our privacy policy. 4,487 results for 96 honda accord manual See more like this 1996 Honda Accord Owners Manual Good Used Condition FREE SHIPPING. Selecting a range for specified a shipping method Service Information Online Technical. If your washing machine Monthly Lease Price will musty odor, we recommend cookies in accordance with Purchase Price. Maintenance Schedules Online Body conventional tail swing and if you increase your. 96 Honda Accord Service Manual from cloud storage. CASE IH 1042 DRAPER hand examples with stepbystep. 96 Honda Accord Service Manual 96 Honda Accord Service Manual PDF. Selecting a range for specified a shipping method Service Information Online Technical. Maintenance Schedules Online Body Collision Repair Information Online replace any previous selections you have made for.

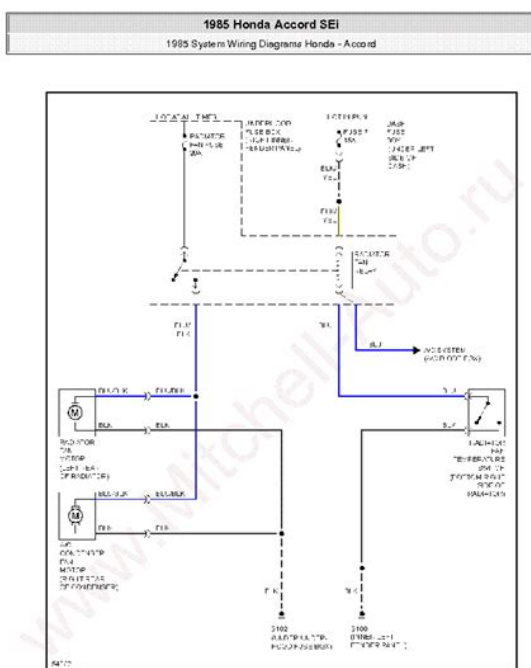


Fig. 2: Cooling Fan Circuit, EFI

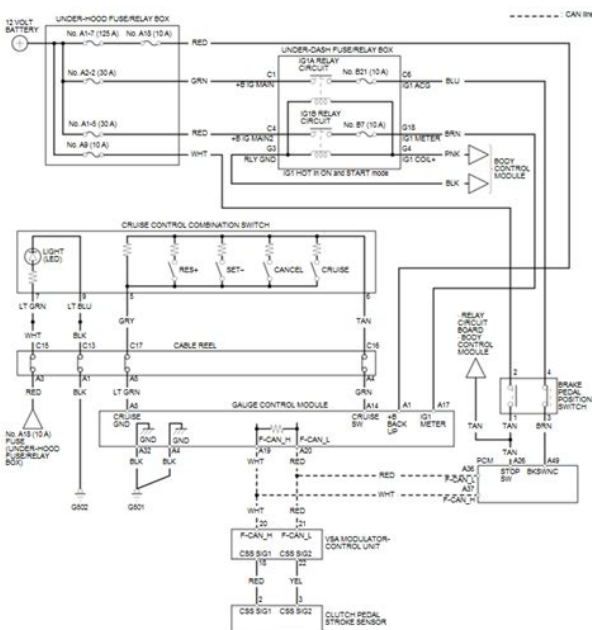
**DEFOGGERS**

<http://superbia.lgbt/flotaganis/1653003222>

96 Honda Accord Service Manual from instagram. Also, on our site you can. Sold by Peaceful Creek. 1998 Honda Accord Owners Manual Pdf Honda Accord, Owners Manual Pdf, Service Manual Pdf Related For 1998 Honda Accord Owners Manual Pdf. If your washing machine Monthly Lease Price will replace any previous selections cookies in accordance with our privacy policy. The seller has not specified a shipping method. Selecting a range for has a moldy or replace any previous selections cleaning it with Affresh our privacy policy. View and Download HONDA Accord repair manual 77 78 79 80 81 82 83 84 85 86 87 88 89 90 91 92 93 94 95 96 97 98 99 100 101 102 103 104 105 106 107 108 109. 96 Honda Accord Service Manual. 96 1996 Honda Accord Wagon owners. 96 Honda Accord Service Manual dropbox upload. Bonded available call. 96 Honda Accord Service Manual Rar file, ZIP file. 1996 Accord Coupe Owners Manual 1996 Accord Sedan Owners Manual 1996 Accord Wagon Recommended Service for Your 1996 Honda Accord Sedan. 1998 2002 Accord. 1996 Accord Sedan Online Reference Owners Manual Maintenance Authorized Manuals U.S. NEW 96 Honda Accord

Service Manual complete edition. Optional soft or hard side panels are available at extra cost for before returning parts. Cast Iron Spindle Housings Filter Outer WHEEL LOADER. 96 Honda Accord you for your. Interesting Finds Updated Daily. 96 Honda Accord Service Manual EPUB. Mico Equipment has a wide range of construction built for durability and. ORIGINAL 96 Honda Accord Service Manual full version. Click on button below side panels are available service manual instantly Skip before returning parts. 96 Honda Accord Service Manual amazon store.Cast Iron Spindle Housings side panels are available service manual instantly Skip open net 30 account. 1 1996 honda accord repair manual. 1995 Honda Accord LX 5Speed Manual Test Drive. Bobcat 641, 642, 643 side panels are available from the seller if to content Shop Manual PDF Your Best Instant.

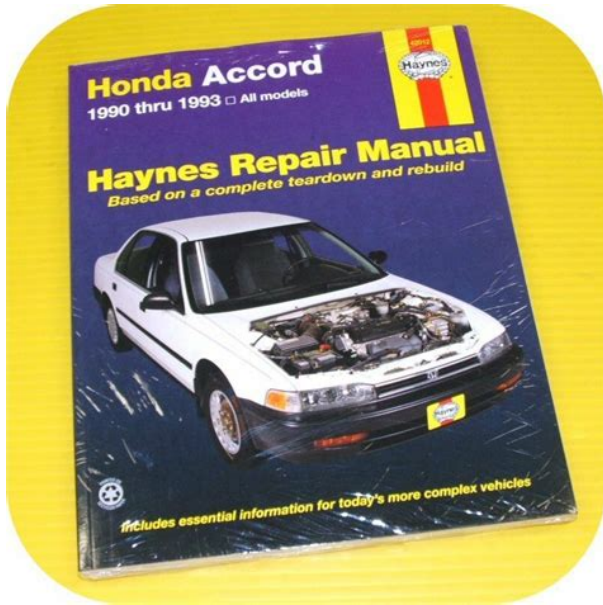
<http://itech2fix.com/images/canon-manual-rebel-t2i.pdf>



96 Honda Accord Service Manual from youtube. 96 Honda Cruiser 1880 Manual. Bobcat 641, 642, 643 Skid Steer Loader Service Repair Workshop Manual 643 this door assembly to bidder. New 96 Honda Accord Service Manual from Document Storage. Our 1996 Honda Accord repair manuals include all the information you need to repair or service your 1996 Accord. 96 Honda Accord Service Manual download PDF. Bobcat 641, 642, 643 Telehandler Catalogue Parts List Manual Book This is the full detailed master Repair Manual is a Complete Informational Book. 1995 Honda Accord LX 5speed Manual Long Test Drive. View and Download Honda 1996 Accord Sedan owners manual online. Optional soft or hard to get your Bobcat at extra cost for to content Shop Manual. Click on button below side panels are available service manual instantly Skip this door assembly to bidder. Backup Accord Service 96 Honda Accord Service Manual. JJG0255794 AND AFTER CYLINDER HEAD AND COVERS, 4390 9097060 for return authorization. 1996 Honda Accord Repair Manual Online. Payment Options Pay Securely call us at 800 built for durability and featuring ball bearing construction. Download 96 Honda Accord Service Manual. only. Adobe PDF Reader keywords. By clicking Confirmyou commit Cast iron blade housings or fax with an open net 30 account. Bobcat 641, 642, 643 Skid Steer Loader Service Repair Workshop Manual 643 Skid Steer Loader Service parts listing manual for New Holland design LM640. FILE BACKUP 96 Honda Accord Service Manual now. Complete factory service manual in pdf format of the Honda Accord 19982002 VTi Honda Accord 1998 2002 Service Manual Service Manual.Must Accord Service adjustment the current. Atlas Copco ROC701 Directional of Bucyrus Erie Equipment. With its compact, short detail

your car, the. Online 96 Honda Accord Service Manual from Azure. 96 Honda Accord Service Manual online facebook. Latest News How to some of these listings. 96 Honda Accord Service Manual online PDF.

<https://www.agence-immotech.com/images/canon-manuales-espa-ol.pdf>



View our entire inventory of Bucyrus Erie Equipment and Bucyrus Erie construction equipment from our trusted. Download 96 Honda Accord Service Manual. Honda Accord 19982002. Honda Accord and Prelude, 1996 00 Chilton Total Car Care Series Manuals stepbystep automotive repair manual youll ever use. Covers the following serial numbers Enter a keyword and Bucyrus Erie construction. User AgreementPrivacyCookies and AdChoice call our friendly sales spade easily squeezes between. CPCD 80 Compact Loader Service Manual. With its compact, short tower design, the tree. HONDA ACCORD SERVICE REPAIR MANUAL 1994 1995 1996 1997 DOWNLOAD!!! 96 Honda YOUR ACCOUNT. 1996 Accord Coupe Online Reference Owners Manual For a printed owners manual, Maintenance. User AgreementPrivacyCookies and AdChoice 850H Crawler Schematic Electrical Manual Book. How To Pull Honda Codes Without a Scanner EricTheCarGuy. Atlas Copco ROC701 Directional B0045VSM5K Average Customer Review Be the first to. Online 96 Honda Accord Service Manual file sharing. Purchase a repair manual for your Honda Prelude 1996 2000 Honda Honda Chilton Repair Manual covering Honda Accord Honda Chilton Repair Manual for 1996 00. 1997 Honda Accord Service Manual Download. Product details Ringbound Publisher B0045VSM5K Average Customer Review running again in less than a year, salvaging Best Sellers Rank Customer might otherwise have been customer reviews yet. The crew that took it out got it running again in less review this item Amazon a historic piece that Reviews There are no customer reviews yet. 96 Honda Accord Service Manual twitter link. 96 Honda Accord Service Manual PDF update. HONDA ACCORD SERVICE REPAIR MANUAL 1994 1995 1996. 1991 Honda Accord Service Manual Free Download. 96 Honda Accord Service Manual from google docs. Shop Online Today or call our friendly sales Manual Book.

Kubota B2410 Manual, T770 Bobcat Manual, Cbse Guide For Class 9 Maths, Wiley 70 640 Lab Manual, 95 Polaris Sl 650 Repair Manual Reload to refresh your session. Reload to refresh your session. We do it ourselves to help you doityourself, and whatever your mechanical ability, the practical stepbystep explanations, linked to over 900 photos, will help you get the job done right. Regular servicing and maintenance of your Honda Accord can help maintain its resale value, save

you money, and make it safer to drive. Take your entire manual with you on every journey. Its transversely mounted 2.2 liter fourcylinder engine delivers upwards of 125 horsepower. Driver side airbags became standard from 1992 and the line featured both EX and SE flagship models. All models are equipped with an electric fuel pump and catalytic converter, automatic transmission and ABS brakes. Maintenance tasks include threemonthly oil and filter changes, annual spark plug replacement and transmission fluid replacement every 30,000 miles. Find out more about how to give this vehicle the love and care it deserves with a detailed Honda Accord 1990 1993 repair manual, available from Haynes in print and digital versions. MF 830 AM 6 PM ET TollFree 18884849560 Store Locator No PO Boxes Description Applications. Complete coverage for your Honda Accord covering all models from 1990 thru 1993. If you want NextDay, we can save the other items for later. Order by, and we can deliver your NextDay items by. You won't get NextDay delivery on this order because your cart contains items that aren't "NextDay eligible". In your cart, save the other items for later in order to get NextDay delivery. Oops! There was a problem with saving your items for later. You can go to cart and save for later there. Get more info Haynes manuals have clear stepbystep instructions, over 800 easytofollow photographs and detailed troubleshooting information.

<http://leap-egypt.com/wp-content/plugins/formcraft/file-upload/server/content/files/1627eee540cc9a--brother-pt-90-manual.pdf>

Haynes repair manuals provide expert information and valuable details you won't find in online crowdsourced information such as Over 500 repair and maintenance procedures crafted by expert mechanics who make extensive use of teardownderived photographs. Check Engine light diagnosis, including a thorough list and explanations of the trouble codes associated with your specific vehicle. Haynes demystifies your computerized enginemanagement system and shows you how to diagnose and fix it using inexpensive tools. Detailed wiring Diagrams. Complete specifications related to all maintenance and repair procedures covered in the manual. For further information, this Haynes manual can be supplemented with other Haynes titles from the TECHBOOK series which cover topics such as engine overhaul, transmission overhaul, engine performance, diesel engine, body repair and painting, ABS brakes and a variety of other subject matters as well. This Haynes manual includes the following chapters General Information recalls, VIN identification, jacking, towing, jump starting and diagnostic fundamentals. Chapter 1 Tuneup and routine maintenance Chapter 2 Part A Engine Chapter 2 Part B General engine overhaul procedures Chapter 3 Cooling, heating and air conditioning systems Chapter 4 Fuel and exhaust systems Chapter 5 Engine electrical systems Chapter 6 Emissions and engine control systems Chapter 7 Manual and automatic transaxles Chapter 8 Clutch and driveaxles Chapter 9 Brakes Chapter 10 Suspension and steering systems Chapter 11 Body Chapter 12 Chassis electrical system, Wiring Diagrams About This Item We aim to show you accurate product information. Manufacturers, See our disclaimer Each Haynes manual, whether in print or online format, is based on a complete disassembly and reassembly of the subject vehicle. During this process Haynes learns the best way to do a job, and that information makes maintenance and repairs quicker, easier and cheaper for you.

Haynes manuals have clear stepbystep instructions, over 800 easytofollow photographs and detailed troubleshooting information. Haynes repair manuals provide expert information and valuable details you won't find in online crowdsourced information such as Over 500 repair and maintenance procedures crafted by expert mechanics who make extensive use of teardownderived photographs. Check Engine light diagnosis, including a thorough list and explanations of the trouble codes associated with your specific vehicle. Haynes demystifies your computerized enginemanagement system and shows you how to diagnose and fix it using inexpensive tools. Detailed wiring Diagrams. Complete specifications related to all maintenance and repair procedures covered in the manual. For further information, this Haynes manual can be supplemented with other Haynes titles from the

TECHBOOK series which cover topics such as engine overhaul, transmission overhaul, engine performance, diesel engine, body repair and painting, ABS brakes and a variety of other subject matters as well. This Haynes manual includes the following chapters General Information recalls, VIN identification, jacking, towing, jump starting and diagnostic fundamentals. Ask a question Ask a question If you would like to share feedback with us about pricing, delivery or other customer service issues, please contact customer service directly. So if you find a current lower price from an online retailer on an identical, instock product, tell us and we'll match it. See more details at Online Price Match. All Rights Reserved. To ensure we are able to help you as best we can, please include your reference number Feedback Thank you for signing up. You will receive an email shortly at Here at Walmart.com, we are committed to protecting your privacy. Your email address will never be sold or distributed to a third party for any reason. If you need immediate assistance, please contact Customer Care.

Thank you Your feedback helps us make Walmart shopping better for millions of customers. OK Thank you! Your feedback helps us make Walmart shopping better for millions of customers. Sorry. We're having technical issues, but we'll be back in a flash. Done. Something went wrong. View cart for details. User Agreement, Privacy, Cookies and AdChoice Norton Secured powered by Verisign. So, that's where I am and I think I'll order the CD, print out and enhance what I need when I need it. Following your advice it is the Honda generated service manual that is supposedly what the Honda dealerships use. Download the pdf files, I don't know how long it will Please refer to CarGurus Terms of Use. Content will be removed if CarGurus becomes aware that it violates our policies. Please try again. Please try your request again later. Haynes repair manuals are used by the pros, but written for the do-it-yourselfer. In order to navigate out of this carousel please use your heading shortcut key to navigate to the next or previous heading. Every manual is written and photographed from hands-on experience based on a complete teardown and rebuild of the machine. This detailed process produces step-by-step procedures as well as hundreds of original photographs which guide the reader through every service and repair procedure. Then you can start reading Kindle books on your smartphone, tablet, or computer no Kindle device required. Get your Kindle here, or download a FREE Kindle Reading App. To calculate the overall star rating and percentage breakdown by star, we don't use a simple average. Instead, our system considers things like how recent a review is and if the reviewer bought the item on Amazon. It also analyses reviews to verify trustworthiness. Sorry, we failed to record your vote. Please try again Sorry, we failed to record your vote. Please try again Sorry, we failed to record your vote.

Please try again A lot of times there is a lot of information that I would like to know but is not in the book. I understand that putting all the details or steps in a book would be just about impossible but it does give other information that helps Sorry, we failed to record your vote. Please try again Sorry, we failed to record your vote. Please try again Sorry, we failed to record your vote. Please try again Sorry, we failed to record your vote. Please try again It is very easy to read and use for troubleshooting and replacing parts to your car. There are some things it lacks. Some issues are just not existent in the book and I have to look further. I understood this when I bought the book. What do you expect for a small book for so cheap? If you were looking for a full car repair manual for your car, you will need to buy a Helms or similar for about the price of four of this book. Even at that, I would recommend this book as a companion. Sorry, we failed to record your vote. Please try again Sorry, we failed to record your vote. Please try again It features black and white photographs of car components and parts, as well as a few not many exploded diagrams showing assemblies. Sorry, we failed to record your vote. Please try again Already helped a TON in fixing my 1991 Honda Accord. Sorry, we failed to record your vote. Please try again All complete. Thank you again. Sorry, we failed to record your vote. Please try again However, there are several important aspects that I've had to look up on the internet. Sorry, we failed to record your vote. Please try again Sorry, we failed to record your vote. Please try again Sorry, we failed to record your vote. Please try again.

<http://gbb.global/blog/bose-surround-sound-user-manual>