

## SECTION I APPLICATION

Used in conjunction with the following Compool Control Systems:

CP3400, CP3600, CP3800, CP3810 and CP3830.

Provides switching of four remote control circuits from a wireless hand-held remote.

It is typically used for activating the spa circulation, and for operating three auxiliary pieces of equipment (such as lights, jet pump, air blower, waterfall, etc.).

Each of the four functions on the hand-held remote has an "ON" and an "OFF" button.

## SECTION II KIT INCLUDES:

- 1-qty. Hand-held Remote (P/N 520018)
- 1-qty. Receiver with 8 ft. flexible conduit and (1) 9/16 in. cable inside
- 4-qty. Plastic Anchors (for mounting Receiver to concrete or stucco walls)
- 4-qty. Mounting screws (for mounting Receiver to a flat surface)

## SECTION III RECEIVER

The functional range of the wireless remote (from Hand-held Remote to Receiver) is approximately 150 ft. line-of-sight. The Receiver should be mounted at a convenient location (on a flat surface) a minimum of 5 ft. above ground level to optimize the functional range of the Hand-held Remote.

### CAUTION

The Receiver should be mounted a minimum of 8 to 10 feet away from any air blower, which may be part of the equipment set. The Receiver will not operate properly if it is close to a blower which is operating.

In order to mount the Receiver, it will be necessary to remove the two retaining screws located on the underside of the Receiver, and carefully slide the Receiver case up and off of its backplate. Temporarily position the backplate against its mounting surface so that the Receiver is oriented in an upright position (with antenna pointing upwards, and flexible conduit protruding from the bottom of the Receiver). The circuit board may need to be temporarily removed. Carefully disconnect the modular connector at the bottom of the circuit board and slide the board out of the backplate. Use a pencil to mark the four mounting points, and drill 3/32 in. dia. holes. For stucco or block walls, drill 3/16 in. dia. holes and insert the four plastic anchors (provided). Reposition the backplate over the mounting points and secure with the four mounting screws (provided). Carefully slide the circuit board back into the backplate and connect the modular connector. Then slide the Receiver case back onto the backplate, and secure using the two retaining screws.

## SECTION IV POWER CENTER

Disconnect power by switching off all circuit breakers pertaining to pool and spa.

### WARNING

If your Compool electrical panel includes circuit breakers (aluminum colored steel enclosure), it is also required that the main power into the home be switched off at the main circuit breaker box.

Loosen the LOCK SCREW on handle of hinged faceplate on the left side of Power Center, and swing open to expose the low-voltage wiring compartment. If the Power Center incorporates a circuit breaker subpanel, it will be necessary to temporarily remove the breaker panel in order to access the low-voltage wiring compartment.

Insert the flexible conduit (attached to Receiver) into the low-voltage compartment by threading through the plastic bushing on the underside of the Power Center enclosure.

Locate the silver cable (with modular connector attached) protruding from the flexible conduit, and plug it into the Power Center circuit board at COM PORT socket.

P/N 520044

2

Rev. C 10-31-02

**File Name:** Cp3830 manual.pdf

**Size:** 2562 KB

**Type:** PDF, ePub, eBook

**Category:** Book

**Uploaded:** 29 May 2019, 12:11 PM

**Rating:** 4.6/5 from 557 votes.

**Download Now!**

Please check the box below to proceed.



I'm not a robot



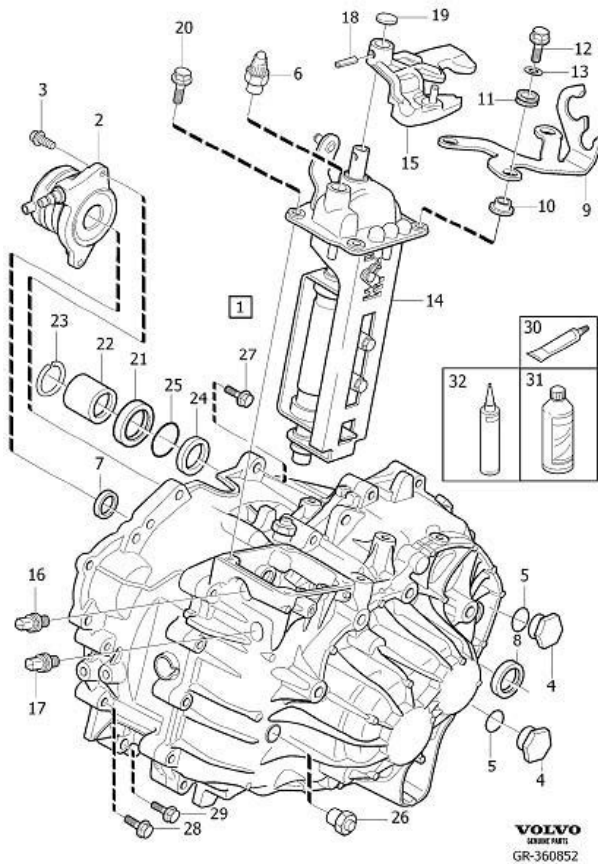
reCAPTCHA  
Privacy - Terms

## Book Descriptions:

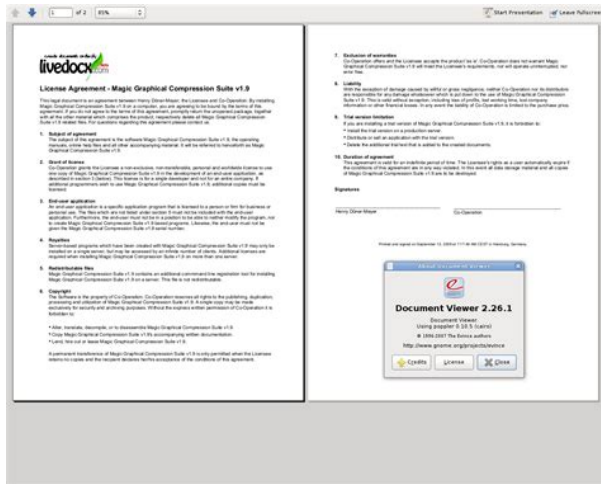
# Cp3830 manual

DD Page 236 and 237 Configurator CP Input Set 14. CP 38 Page 238 and 239 Configurator CP Input Set Figure 5 Page 240 and 241 Configurator CP Output Set CP Outpu Page 242 and 243 Configurator CP Output Set Copying Page 244 and 245 Configurator CP Output Set If you w Page 246 and 247 Configurator CP Output Set 9. CP 20 Page 248 and 249 Configurator CP Output Set b. Speci Page 250 and 251 Configurator CP Output Set 14. DD Page 252 and 253 Configurator CP Output Set 16. CP 3 Page 254 and 255 Configurator CP Output Set. Thank you, for helping us keep this platform clean. The editors will have a look at it as soon as possible. Now, you can make it even more convenient to run your pool, spa or combination with the added ease of a wired or wireless remote. Plus, you can program your equipment for optimal energy efficiency. A list can be found here. Please type an address. The Current display window shows the source switched to the panel's controlled output. The Preset window shows the new source as it is being entered from the category and keypad push buttons; after TAKE is pressed, the previous source is shown in the Preset window. This allows "flipflopping" the sources, or switching between the current and preset sources by simply pressing the TAKE button see page 678. The push buttons are capable of green, red, and amber back lighting, with green generally used to show a selected function and red to indicate an operational mode in progress. The amber color is presently used only for a CP 3830 dedicated output panel see page 5126. As an option, the CP 3830 can be operated in connection with an adjacent CP 3809 Expansion Panel see page 6124 or a CP 3810 Expansion Panel see page 6126. Dual CP 3830 panels can be configured so that one of the panels is used as a dedicated output panel see page 5126. Dual output mode is also possible with two panels side by side. <http://servmed.net/userfiles/fleet-type-submarine-manual.xml>

- 1.0.



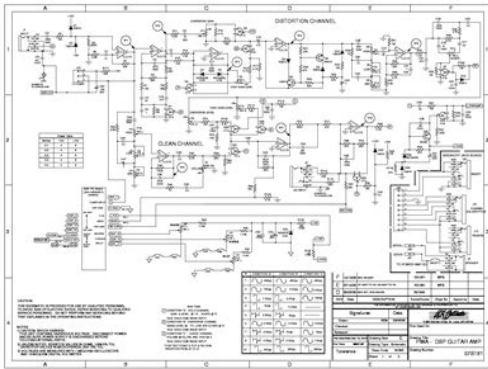
CP 3830P CP 3830 with Automatic Preview The CP 3830 can also be configured to control two outputs, with the second output used for preview. BOP 4000 and cables. Assembly no. F7029500104. Rear 75 Connection to SerialControl Routers 76 212 CM 4000 Installation and Operating Manual Figure 212. Serialcontrol switcher restrictions. 80 216 CM 4000 Installation and Operating Manual Figure 216. Cable for connecting CM 4000 to SMS 7000 DB9 port. Figure 217. Cables for connecting CM 4000 to SMS 7000 DB25 port. 82 218 CM 4000 Installation and Operating Manual 85 221 CM 4000 Installation and Operating Manual 86 222 CM 4000 Installation and Operating Manual 87 223 CM 4000 Installation and Operating Manual Figure 227. Cable for connecting CM 4000 to Horizon matrix router. Figure 226. Connection to Horizon matrix router. 88 224 CM 4000 Installation and Operating Manual Figure 228. Connection to Datatek D2166 Buffer Control Module. Figure 229. Cable for connecting CM 4000 to Datatek D2166 Buffer Control Module. 90 226 CM 4000 Installation and Operating Manual Figure 231. Cable for connecting CM 4000 to UDI1B RS422 port. Figure 232. Cables for connecting CM 4000 to UDI1B RS232 port. 92 228 CM 4000 Installation and Operating Manual Figure 235. Cable for connecting CM 4000 to Nexus audio router XCPU port. Figure 234. Cable for connecting CM 4000 to Nexus audio router XCI port. 93 Logical Level Mapping 94 Data Matrix Switching 95 Connection to Multiple Crosspoint Bus Distribution Switchers 96 232 CM 4000 Installation and Operating Manual Figure 238. Multiple switcher installation with dedicated CM 4000s. 97 Connection to Multiple Distribution Switchers with Path Finding 98 234 CM 4000 Installation and Operating Manual Figure 239. Sequential path finding connections example. 99 235 CM 4000 Installation and Operating Manual Figure 240. Nonsequential path finding connections example. <http://anfauglir.com/images/fleetwood-4-manual-patty-press.xml>



100 Installing File Server PC Installing Remote PC on LAN 237CM 4000 Installation and Operating Manual 101 Installing Control Panels CONNECTIONS TO CM 4000 Figure 242. Control panel connections to CM 4000. For discussion, see page 277. 279CM 4000 Installation and Operating Manual Figure 292. Use of MI 3040 with UMDs and production switcher. 151 Connection to Automation and Other Systems 153 289CM 4000 Installation and Operating Manual Figure 2101. Cable for connecting CM 4000 to MSL 4000 IFS 4. 154 290 CM 4000 Installation and Operating Manual Figure 2102. Cable for connecting CM 4000 to ATtype computer. Figure 2103. Wiring for connecting CM 4000 to 25pin PCtype serial port. 155 Encore Control of Jupiter 159 Section 4 163 Section 5 Configurator Starting the Configurator 164 Closing the Configurator 165 Configurator Editing Guidelines 169 Jupiter Naming Rules 170 Configuration Set Management Modifying and Downloading a System Configuration Set 171 59CM 4000 Installation and Operating Manual Figure 57. Serial protocol table example. page 127. 193 ENTERING PROTOCOL FOR CONTROLLER BOARD PORTS 196 SATURN VIDEO PROCESSOR ENTRY FOR MPK PORT Switcher Description Table 535CM 4000 Installation and Operating Manual 197 Switcher Description Figure 528. Switcher Description table example. 198 ENTERING SWITCHER LEVELS DESCRIPTIONS Configurator Switcher Input Table 548 CM 4000 Installation and Operating Manual 210 Switcher Input Figure 535. Switcher input table example. 212 SPLIT SWITCHING 213 ENTERING OR EDITING INPUT NAMES AND NUMBERS 214 DATA SWITCHING APPLICATIONS 216 Configurator Switcher Input Table 554 CM 4000 Installation and Operating Manual Figure 543. Switcher Input and Output tables for application shown on page 553. Switcher Output Table 555CM 4000 Installation and Operating Manual 217 Switcher Output Figure 544. Switcher output table example.

218 ENTERING OR EDITING OUTPUT NAMES AND NUMBERS 219 SETTING PASSWORD LEVELS FOR SWITCHER OUTPUTS 220 CP Level Set 224 CP Input Set 225 CP Input Set 563CM 4000 Installation and Operating Manual Figure 548. Entries for CP 3832 configured as single bus panel. 237 CP Input Set bus panel. 575CM 4000 Installation and Operating Manual 238 Configurator CP Input Set 576 CM 4000 Installation and Operating Manual page 5128. Configurator CP Output Set 578 CM 4000 Installation and Operating Manual 240 CP Output Set Figure 564. CP Output Sets example showing new Auto Mnemonic column. OVERVIEW 243 ENTERING OR EDITING A CP OUTPUT SET 247 Default sets may vary confirm by creating a new set! 253 CP Output Set 591CM 4000 Installation and Operating Manual Figure 574. Entries for CP 3864 configured as 54 x 10 unbalanced split panel. Figure 573. Entries for CP 3832 configured as 30 x 2 unbalanced split panel. 254 Configurator CP Output Set 592 CM 4000 Installation and Operating Manual See page 5128. CP Output Set 257 1 2 595CM 4000 Installation and Operating Manual 3 4 Configurator CP Override Set 596 CM 4000 Installation and Operating Manual 258 CP Override Set Figure 578. CP override set example. 259 DEFINING OVERRIDES 261 CP Sequence Set 262 DEFINING SEQUENCES 263 CP Category Set 265 CP Category Set 5103CM 4000 Installation and Operating Manual The table entries correspond to the CP 3000 and CP 3800 category keys as follows A B C D Figure 583. CP

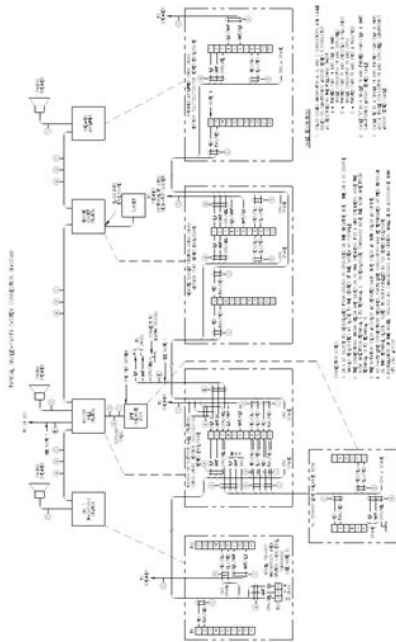
3830 key positions. 1234 5678 9101112 13 14 15 16 Figure 585. CP 3808 key positions. 12345 678910 11 12 13 14 15 123 456 789 10 11 MPK Devices 5107CM 4000 Installation and Operating Manual 269 MPK Devices Figure 589. Entries for system shown in Figure 593. Figure 593. Example of SlimLine installation. 282 Configurator MPK Devices 5120 CM 4000 Installation and Operating Manual 283 MPK Devices Figure 596. Example of automatic machine linkage sequence. Delegation groups menu example. PERMANENT DELEGATION Figure 5129.



<http://www.raumboerse-luzern.ch/mieten/boss-gt-1280-manual>

Configurator Status Display 5150 CM 4000 Installation and Operating Manual 312 Status Display Headers Figure 5130. Path finding data table example. 339 5177CM 4000 Installation and Operating Manual Figure 5153. Sequential Path finding and Switcher inputs tables for system shown in Figure 5152. 345 5183CM 4000 Installation and Operating Manual Figure 5157. Table entries for system shown in Figure 5156 video entries not shown. 5185CM 4000 Installation and Operating Manual 347 NonSequential Path Finding Figure 5158. NonSequential Path Finding data table example. 348 Configurator Path Finding 5186 CM 4000 Installation and Operating Manual 349 5187CM 4000 Installation and Operating Manual Figure 5160. Path Finding and Switcher Inputs tables for system shown in Figure 5159. Configurator Exclusion 5188 CM 4000 Installation and Operating Manual 350 Exclusion Figure 5161. Exclusion data table example. Figure 6124. 691CM 4000 Installation and Operating Manual Figure 6123. CP 3832s configured as 64 x 1 control station. All selection buttons glow green SOURCE indicates All selection buttons glow green SOURCE indicates Figure 6140. CP 3832 used as destination panel for 64 x 32 control station. CP 3020 with suggested VC 3020 labelling. DOWN Figure A1. VGA controls on CM 4000. CM 4000 VGA Status Display UP NEXT SELECT NEXT CURSOR MODE CHNG MODE 0 9123456 78 Figure A3. VGA Status Display installation. Location of Console connector. Console Port Connections and Protocol Figure C2. Console cable for all controller boards. Connector pin assignment. ESBUS Specifications Bus controller Tributary Figure F2. Change them as you need or want, depending on use habits or time of year. Or, switch to manual mode to operate any equipment any time you want. All your equipment runs for the right length of time at the times you choose, so your pool and. Also includes pool and spa temperature display.

<http://liftkos.com/images/95-gmc-safari-owners-manual.pdf>



The CP30 features a remote plate incorporating switches for poolspa switching, heater control single or dual thermostat and control of two additional accessories. The CP3800, CP3600 and CP3400 are the most capable systems and feature an indoor control panel with electronic timer, digital thermostats, and temperature display for pool and spa. They control basic circulation and heating equipment, as well as. Prices are indicative only and may vary by country, with changes to the cost of raw materials and exchange rates. Page Count 709 See page 122 for equipment part numbers. JupiterXPress Release 7.4. Jupiter AccuSwitch Release 7.4. Installation and Operating Manual. Manual part no. 071826104. June 1, 2006Region. Voice. Fax. Address. Web Site. North AmericaP.O. Box 599000. Nevada City, CAPacific Operations. SupportFrance. Germany, Europe. Grass Valley Web Site. The [www.thomsongrassvalley.com](http://www.thomsongrassvalley.com) web site offers the following. Online User Documentation — Current versions of product catalogs, brochures,FAQ Database — Solutions to problems and troubleshooting efforts can be foundCopyright Grass Valley, Inc. All rights reserved. All specifications subject to change without notice. This product may be covered by one or more U.S. and foreign patents.CM 4000 Installation and Operating ManualSoftware Control Panel Suite GUI Control Panel. CM 4000 Installation and Operating ManualVTR, Control Panel, General Purpose Interface Buses. SlimLine Under Monitor Display Components. PC 3000 Specifications Minimum. Maximum Number of Logical Levels. General Purpose Systems Interfaces. Additional Hardware Part Numbers. AccuSwitch FrameAccurate Automation Solution. Software Control Panel Suite Packages. JupiterXPress application.Replacement of a Failed Redundant Unit. Installing Redundant CM 4000 Control Modules. BOP 4000 Break Out Panel kit Cables. Software Configuration Redundant Systems. Utah Scientific Party Line Connection Using UDI1B.

<http://www.liceoantonioleodo.com/images/95-geo-tracker-repair-manual.pdf>



Connection to Multiple Crosspoint Bus Distribution Switchers. Connection to Multiple Distribution Switchers with Path Finding. Sequential Path Finding Path Finding Using Sequential Wiring. Nonsequential Path Finding Path Finding Using Nonsequential Wiring. CP 300 24 X 1 Single Bus Control Panel. CP 310 24 X 8 Eight Bus Control Panel. CP 320 Push Button Control Panel. CM 4000 Installation and Operating Manual CP 3000 Switcher Control Panel and CP 3010 Expansion Panel. CP 3020 Push Button Control Panel. CP 3021 Push Button Expansion Panel. CP 3800 Eight Character Control Panel. MC 3000 Machine Control Panel and CP 3010 Expansion Panel.....Connection to Sony and Sonycompatible VTRs..... 261. Connection to Systems with Saturn Master Control Switcher..... 270. Connection to Systems with NonSaturn, NonMCS 2000 Master Control. Connection to Systems with JupiterControlled Router Only..... 283. Connection to Systems with Saturn Master Control Switcher..... 284. Connection to Systems With Saturn Master Control AND Production. Connection to Devices Using "ESswitch" Proposed ESBUS Routing Switcher. CM 4000 Installation and Operating Manual Copy and Paste Rows Between the Windows Clipboard and Jupiter. Modifying and Downloading a System Configuration Set. Making the Desired Modifications to the Set. Using the "Numeric" Sets for Quick Switcher Checkout. Validating, Compiling, and Activating Downloading a Configuration Set. Zipping a Configuration Set with Diagnostic Information Setting Password Levels for Switcher Outputs..... 526. Saturn Video Processor. Entry for MPK Port..... 534. Data switching off time between switches..... 547. Entering or Editing Input Names and Numbers..... 551. CP Input and Output Sets and Control Panel Operation..... 554. Entering or Editing Output Names and Numbers..... 556.

Setting Password Levels for Switcher Outputs..... 557. A Note Concerning Level Numbering and External Control Computers Using. Primary P and Indirect i Status Instructions "Split Mnemonics"..... 564. Copying a CP Input or Output Set for Use with a Different Panel Type. 577. Copying a CP Output Set for Use with a Different Panel Type..... 580. Changing the Category Set Associated with an Input or Output Set.... 5105. Setting Up a Switcher Control Panel for FullMatrix, MultiBus, or. CM 4000 Installation and Operating Manual Displaying Time Code on an MC 3000 Associated with a VGA Status. External Control of Saturn Master Control Switcher "MI 3040IO" Systems with JupiterControlled Distribution Switcher Only. Systems with Saturn Master Control Switcher. Systems with Saturn Master Control and Production Switcher.....XY Application with Balanced Split Panel.....Single Bus Status Only Standalone "CP3810L". Assigning Linking Machines to Control Panels. Example of Machine Control Tables Setup.....Linkage for Machines That Do Not Enter the Routing Switcher. Basic Tally System with Saturn Master Control Switcher. Configuration for Systems with Saturn Master Control

Switcher and. Configuration for Systems with NonSaturn Master Control Switcher. Path Finding for Three or More Switchers. Path Finding Between Analog and Digital Equipment. Automatic Conversion of Separate Analog Signals to Combined Digital. Section 6 Control Panel Operation. CM 4000 Installation and Operating ManualSwitching Different Inputs with a Single TAKE Command. An Alternate Method of Split Switching. ID — Display Control Panel Device Address. LongTerm Password Entry PWD — Login. LOG — Logout CP 3000 Panel Only. CP 3010 as Companion to CP 3000 Switcher Control Panel. Dynamic Assignment of Outputs to the TAKE Keys. Permanent Assignment of Outputs to the TAKE Keys.....Selecting Destinations and Making a Switch.

<https://az4group.com.br/wp-content/plugins/formcraft/file-upload/server/content/files/162865ae93f836---c365-manual.pdf>

Adding or Changing a Destination Soft Key Assignment. Single Destination Mode “SingleBus Control”. Level Selection Mode “Split” or “Breakaway” Switching. Making a Split Switch—Multiple Destination Mode “DEST” ButtonAudio Control Mode Venus Special Stereo Switching. To Perform a Special Stereo Switch. Single Destination VTR Control. Multiple destination VTR Control. CM 4000 Installation and Operating ManualPassword Level Request During TAKE. Creating the override definition. Creating the Sequence Definition. Destination Mode — Press MENU Once. Audio Status Mode— Press MENU Three Times. Locking or Unlocking an Output—Press MENU Four Times. Protecting or Unprotecting an Output—Press MENU Four Times. Panel ID Address Mode—Press MENU Five Times. Diagnostics Mode — Press MENU Six Times.....Audio Switching Mode Venus Special Stereo Switching. Selecting a Source with PRESET On. Breakaway Using Override Keys PRESET Off. Breakaway Switching. MultiLevel Take. Checking Status of Multiple Levels. Sticky Levels. Restoring Override Keys to Default Assignments Default Select Mode. Default Select Mode — Press MENU Twice. Sticky Mode — Press MENU Three Times. Panel Name — Press MENU Four Times. Panel ID Address Mode — Press MENU Five Times. Diagnostics Mode — Press MENU Six Times. CP 3830P CP 3830 with Automatic Preview. CP 3830 Dual Configuration—Dedicated Output Panel. CM 4000 Installation and Operating ManualDestination Mode — Press MENU Once. Audio Mode — Press MENU Three Times. Panel ID Address Mode—Press MENU Four Times. Diagnostics Mode — Press MENU Five Times. Audio Switching Mode Venus Special Stereo Switching. Operation as a Source or Destination Expansion Panel. Source Expansion Operation with “balanced Split” 16 x 16 Main. Destination Expansion Operation. Audio Status Mode— Press MENU Twice. Panel Name — Press MENU Three Times. Panel ID Address Mode — Press MENU Four Times. Audio Switching Mode Venus Special Stereo Switching.....

[airbornelabs.com/images/editor/files/comprodtv-3-manual.pdf](http://airbornelabs.com/images/editor/files/comprodtv-3-manual.pdf)

Dynamic Assignment of Outputs to Expansion Panel Buttons. Permanent Assignment of Outputs to the Expansion Panel. MC 3000 Machine Control Panel and CP 3010 Expansion Panel. Using the MC 3000 to Access Sony AutoEdit Mode. Cursor Mode Selecting an Output for Control. Cursor Mode Selecting a Machine for Control. Section 7 Software Control Panel Suite. CM 4000 Installation and Operating ManualBreakaway Switching “Select” Method. Breakaway Switching “Deselect” Method. Audio Modes Venus Special Stereo Switching. Direct Take Preset Assignments. Breakaway Preset Assignments. Removing a Preset Assignment. Switching Using the DirectTake Presets. Switching Multiple Destinations to the Same Input Dub Switching. Recalling and taking a Salvo Setup.....Selecting a Set for Editing and Download. Creating and Activating a Group of Sets Select Group. CM 4000 Installation and Operating ManualSection 15 Physical Diagnostic Utility..... 151View display the Input or Output Exception tables. Start Remapping by Entering Physical Numbers.....Summary of Software Configuration Procedure. VGA Page Description File Definitions. Machine and Delegation Status Page. CM 4000 Installation and Operating ManualDecimalHexadecimalBinaryASCIIConversion Chart.....Mechanical and Electrical Characteristics.....CM 4000 Front Panel Error CodesPreparing and

activating a replacement CM 4000. CM 4000 Installation and Operating Manual CB 3000 Crosspoint buffer and interface. Grass Valley 8964 OMD On Monitor Display module.....Index CM 4000 Installation and Operating Manual About This Manual. This manual provides hardware installation, software configuration, and operating A printed copy of the manual is normally provided with the system, along with the. Routing Products Documentation CDROM, part no. 071 8274 xx.

This manual can also be accessed through the Jupiter Configuration Editor "Help" Additional Documentation. CDROM 071 8274 xx provides electronic copies of Apex, Jupiter, Saturn, Trinitron, Triton, and Venus manuals and field bulletins, including. This manual Jupiter Getting Started Guide 04 045707 003. Describes simplified software configuration procedures for quick system startup. Multimedia Courses. Setting Up, Configuring, and Operating a Basic Jupiter Control System Finding Your Path through Path Finding 071 8187 00 Saturn Installation and Operating Manual 04046654002. PROM. This software can be used to talk to remote panels through modems Triton to Jupiter Serial Control Kit Installation Instructions Series Production Switchers technical paper. Current versions of many of these documents are maintained on our web site. See Other publications that can be ordered by contacting Grass Valley Technical Support SlimLine Under Monitor Displays User Manual XU 0065 0 684 581 900. CDROM 071 8130 xx documentation for Grass Valley router products EScontrol Routing Switcher Control Protocol Guide 0404507006. ESswitch Serial Routing Switcher Control Protocol Guide Read and follow the important safety information below, noting especially those Additional specific warnings not listed here may be found throughout the manual. Safety Terms and Symbols. Terms in This Manual. Safety-related statements may appear in this manual in the following form CM 4000 Installation and Operating Manual The following terms may appear on the product. DANGER — A personal injury hazard is immediately accessible as you read the WARNING — A personal injury hazard exists but is not immediately accessible as CAUTION — A hazard to property, product, and other equipment is present. Symbols on the Product. The following symbols may appear on the product.

Indicates that dangerous high voltage is present within the equipment enclosure that Indicates that user, operator or service technician should refer to product manuals This is a prompt to note fuse rating when replacing fuses. The fuse referenced in Identifies a protective grounding terminal which must be connected to earth ground Identifies an external protective grounding terminal which may be connected to Indicates that static sensitive components are present which may be damaged by Use antistatic procedures, equipment and surfaces during CM 4000 Installation and Operating Manual The following warning statements identify conditions or practices that can result in Dangerous voltage or current present — Disconnect power before removing Do not service alone — Do not internally service this product unless another person capable of rendering first aid and resuscitation is present. Remove jewelry — Prior to servicing, remove jewelry such as rings, watches, and Avoid exposed circuitry — Do not touch exposed connections, components or Use proper power cord — Use only the power cord supplied or specified for this Ground product — Connect the grounding conductor of the power cord to earth Operate only with covers and enclosure panels in place — Do not operate Use correct fuse — Use only fuse type and rating specified for this product. Use only in dry environment — Do not operate in wet or damp conditions. Use only in nonexplosive environment — Do not operate this product in an High leakage current may be present — Earth connection of product is essential before connecting power. Double pole neutral fusing — Disconnect mains power prior to servicing. Use proper lift points — Do not use door latches to lift or move equipment. Avoid mechanical hazards — Allow all rotating devices to come to a stop before servicing.

CM 4000 Installation and Operating Manual The following caution statements identify conditions or practices that can result in Use correct power source — Do not operate this product from a power source Provide proper ventilation — To prevent product overheating, provide equipment ventilation

in accordance with installation instructions. Use antistatic procedures — Static sensitive components are present which Use antistatic procedures, equipment Do not operate with suspected equipment failure — If you suspect Ensure mains disconnect — The power cord of this equipment provides the The socket outlet must be installed near the equipment and Route cable properly — Route power cords and other cables so that they are not Properly support heavy cable bundles to avoid connector damage. Use correct power supply cords — Power cords for this equipment, if provided, meet all North American electrical codes. Operation of this equipment at voltages exceeding 130 VAC requires power supply cords which comply with NEMA Troubleshoot only to board level — Circuit boards in this product are densely As a result, circuit board repair at the component level For warranty compliance, do not troubleshoot systems beyond the board level. CM 4000 Installation and Operating Manual Certifications and Compliances. Safety Certification. Category. Standard. Safety Professional Video and Audio Equipment Operation is subject to the following two conditions 1 This device may not cause This equipment generates, uses, and can radiate radio frequency energy and, if not This device has been tested and found to comply with FCC Part 15 Class B limits for These limits are designed Operation of this equipment in a residential area is likely to cause harmful interference in which case the user will be required to correct the interference at his own CM 4000 Installation and Operating Manual This digital apparatus does not exceed the Class A limits for radio noise emissions Department of Communications.

Le present appareil numerique n'emet pas de bruits radioelectriques depassant les Canada. EN 55103 Class A Warning. For products that comply with Class A. In a domestic environment this product may Canadian Certified Power Cords. Canadian approval includes the products and power cords appropriate for use in the. North America power network. All other power cords supplied are approved for the Canadian Certified AC Adapter. Canadian approval includes the AC adapters appropriate for use in the North America power network. All other AC adapters supplied are approved for the country of CM 4000 Installation and Operating Manual Laser Safety Requirements. The device used in this product is a Class 1 certified laser product. Operating this People performing such Laser Safety. Laser safety in the United States is regulated by the Center for Devices and Radiological Health CDRH. The laser safety regulations are published in the "Laser. Product Performance Standard," Code of Federal Regulation CFR, Title 21, Subchapter J. The international Electrotechnical Commission IEC Standard 825, "Radiation of. Laser Products, Equipment Classification, Requirements and User's Guide," governs Europe and member nations of the European. Free trade Association fall under the jurisdiction of the Comite European de Normalization Electrotechnique CENELEC. For the CDRH The radiant power is detected through a 7 mm aperture at a distance of For IEC compliance The radiant power is detected through a 7 mm aperture at a distance of 100 mm from the source focused through a lens with a focal length of 100 CM 4000 Installation and Operating Manual Affiliate with the N. V. KEMA in the Netherlands. A member of the International Network for Quality System Assessment and Certification "IQNet". Number 510057.001. The Quality System of Nevada City, CA 95945 Cergy, France Brunnenweg 9. D64331 Weiterstadt, Germany Woburn, MA 08101 Beaverton, OR 97006 Salt Lake City, UT 84119 Rue du Clos Courtel. Cesson Sevigne, Cedex. France.

Rennes, France. Rue du Clos Courtel. Technopole Brest Iroise France. Including its implementation, meets the requirements of the standard This Certificate is valid until. Revision Date. Renewal Date. Issued for the first time. June 14, 2006. September 9, 2003. June 14, 2003. June 14, 2000. H. Pierre Salle. President. KEMA Registered Quality, Inc.

<https://events.citeve.pt/chat-conversation/boss-gt-1280-manual>